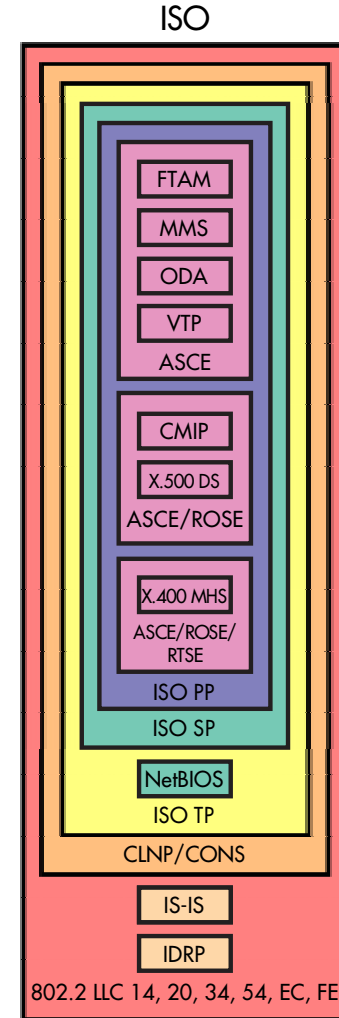
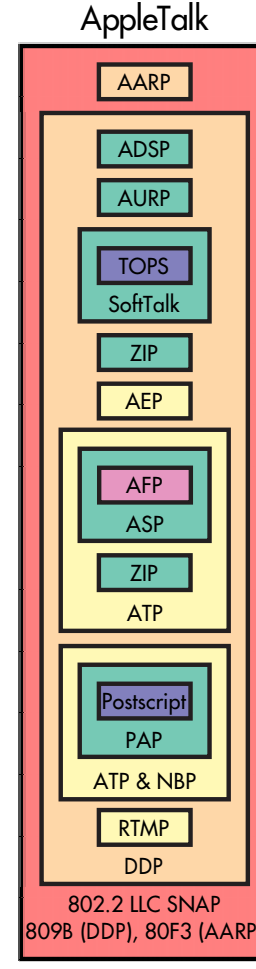
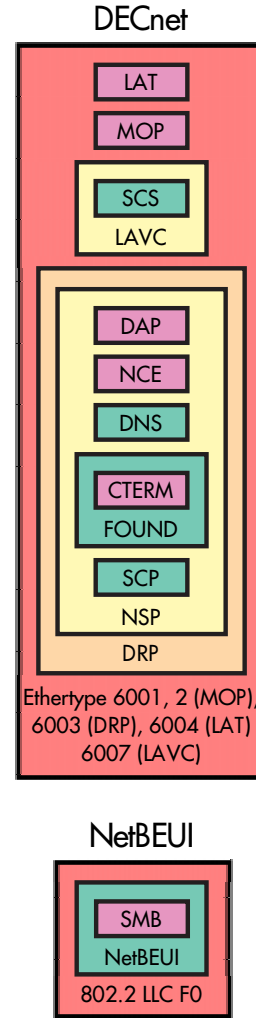
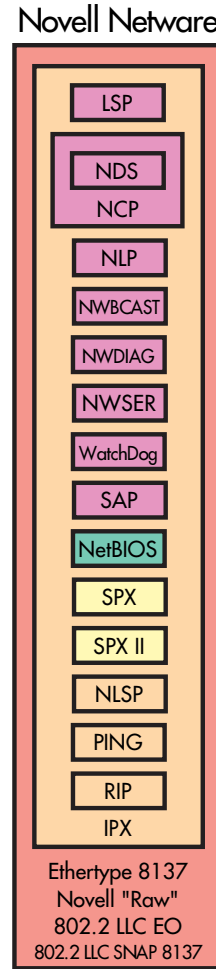
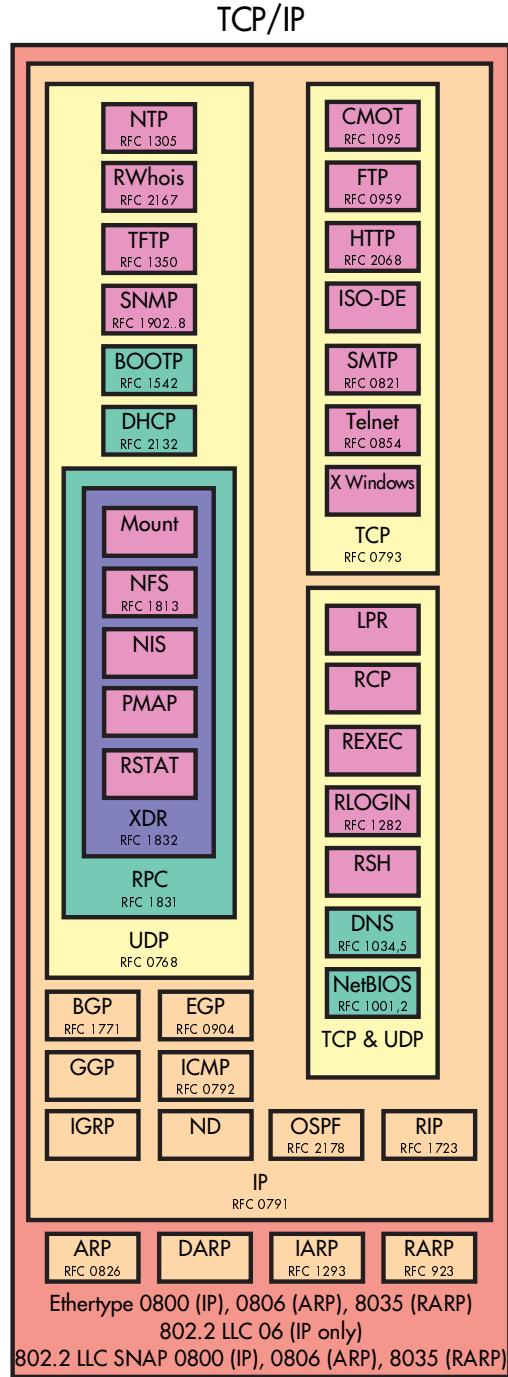


Protocol Family Encapsulations

- Layer 7—Application**
 Provides standard services to applications and end-user interfaces.
- Layer 6—Presentation**
 Performs data format conversion. Provides compression, encoding, and encryption of data.
- Layer 5—Session**
 Establishes sessions between services. Synchronizes and performs translations for naming services.
- Layer 4—Transport**
 Manages connections and provides reliable packet delivery. Operates in units of messages.
- Layer 3—Network**
 Addresses and routes datagrams. Performs fragmentation and reassembly (IP). Operates in units of packets.
- Layer 2—Logical Link**
 Provides hardware addressing and error detection/correction. Operates in units of frames.
- Layer 1—Physical**
 Defines connection, electrical, and wiring specifications. Operates in units of bits.



- | | | | |
|---|--|---|--|
| <ul style="list-style-type: none"> AARP AppleTalk Address Resolution Protocol ADSP AppleTalk Data Stream Protocol AEP AppleTalk Echo Protocol AFP AppleTalk Filing Protocol ARP Address Resolution Protocol ASCE Association Control Service Element ASP AppleTalk Session Protocol ATP AppleTalk Transaction Protocol AURP AppleTalk Update Routing Protocol BGP Border Gateway Protocol BOOTP Boot Protocol CLNP Connectionless Network Protocol CMIP Common Management Information Protocol CMOT CMIP over TCP/IP CONS Connection Oriented Network Protocol DARP Dynamic Address Resolution Protocol DDP Datagram Delivery Protocol DHCP Dynamic Host Configuration Protocol DNS Domain Name System EGP Exterior Gateway Protocol FTAM File Transfer Access and Management FTP File Transfer Protocol GGP Gateway to Gateway Protocol | <ul style="list-style-type: none"> HTTP Hypertext Transfer Protocol IARP Inverse Address Resolution Protocol KMP Internet Control Message Protocol IDRP Interdomain Routing Protocol IGRP Interior Gateway Routing Protocol IP Internet Protocol IPX Internet Packet Exchange B-IS Intermediate System to Intermediate System Routing BO-PP Presentation Protocol BO-SP Session Protocol BO-TP Transport Protocol BO-DE Development Environment LPR Remote Print LSP NetWare Lite Sideband Protocol MMS Manufacturing Message Service Mount Mount Server NBP Name Binding Protocol NCP NetWare Core Protocol ND Network Disk NDS NetWare Directory Service NetBEUI NetBIOS Enhanced User Interface NetBIOS Network Basic Input/Output System | <ul style="list-style-type: none"> NFS Network File System NIS Network Information Services NLP NetWare Link State Protocol NSP NetWare Link State Protocol NTP Network Time Protocol NWBCAST NetWare Broadcast Message Notification NWDIAG NetWare Diagnostic Support Protocol NWSER NetWare Serialization Protocol ODA Office Document Architecture OSPF Open Shortest Path First PAP Password Access Protocol PING Packet Internet Groper PMAP Port Mapper RARP Reverse Address Resolution Protocol RCP Remote Copy REXEC Remote Execution RIP Routing Information Protocol RLOGIN Remote Login ROSE Remote Operations Service Element RPC Remote Procedure Call RSH Remote Shell | <ul style="list-style-type: none"> RSTAT Remote Statistics RIMF Routing Table Maintenance Protocol RISF Reliable Transfer Service Element RWhois Remote Whois SAP Service Advertisement Protocol SMB Server Message Block SMTP Simple Mail Transfer Protocol SNMP Simple Network Management Protocol SPX Sequenced Packet Exchange TCP Transmission Control Protocol Telnet Telecommunications Network Protocol TFTP Trivial File Transfer Protocol TOPS Transcendental Operating System UDP User Datagram Protocol VTP Virtual Terminal Protocol WatchDog Station Keep Alive X Windows Graphical Windows X.400 MHS Message Handling System X.500 DS Directory Services XDR Exchange Data Representative Protocol ZIP Zone Information Protocol |
|---|--|---|--|